

# LED Power Supply CV Version



### Features

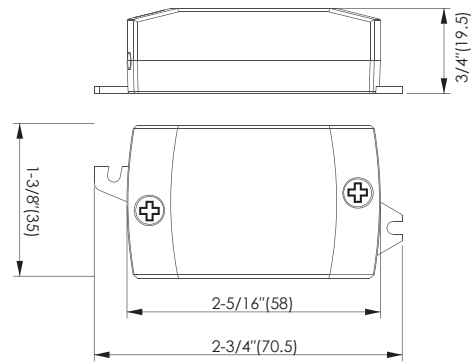
- UL Listed power supply for constant voltage LED lamp
- UL 8750 Class 2 output
- Open circuit, short circuit, over load and over temperature protection
- Auto restart after fault conditions removal
- Efficiency  $\geq 72\%$  (AC120V, full load)

### Standards

UL8750  
UL1310  
FCC15



### Dimensions: (inches/mm)

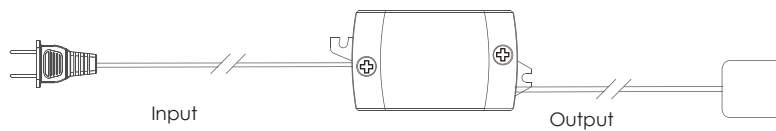


### Characteristics

Rated input voltage: AC120Vac 60Hz (power factor measured at AC120V and full load)

Model No.	Constant output voltage	Load	$\lambda$	$t_a$	L x W x H	Approval
SLT6-350ILA-4A	DC24V	0-6W	0.4C	-4-95°F (-20-35°C)	2-11/16"x1-3/8"x13/16" (68x35x20mm)	

### Listed driver configuration



Input Plug	Input Cable Length	Model No.	Splitter	Output Cable Length
NA1 - NA1	59 - 59"	624LA-SLT6-350ILA-4A	4A - JB-4A 12A - JB-12A 6V - JB-6-4	6 - 6"

Example: NA159-624LA-4A6