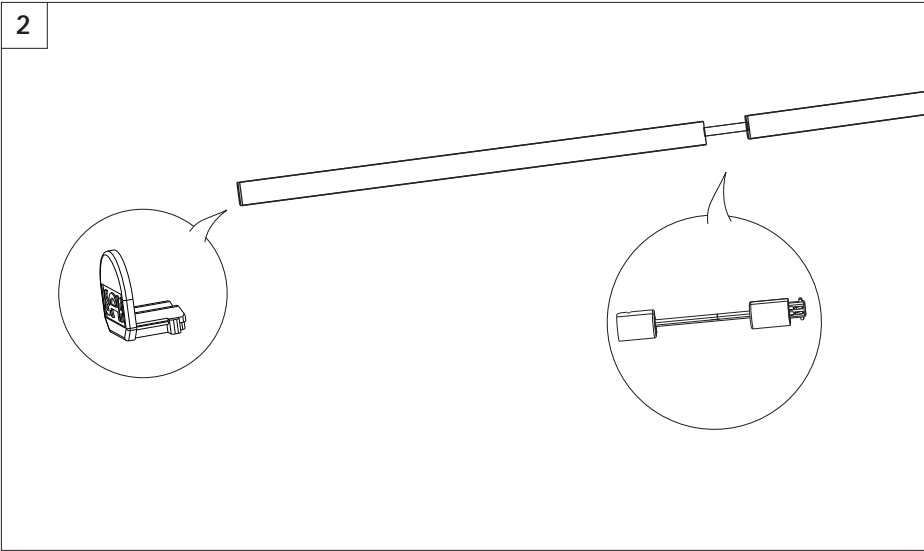
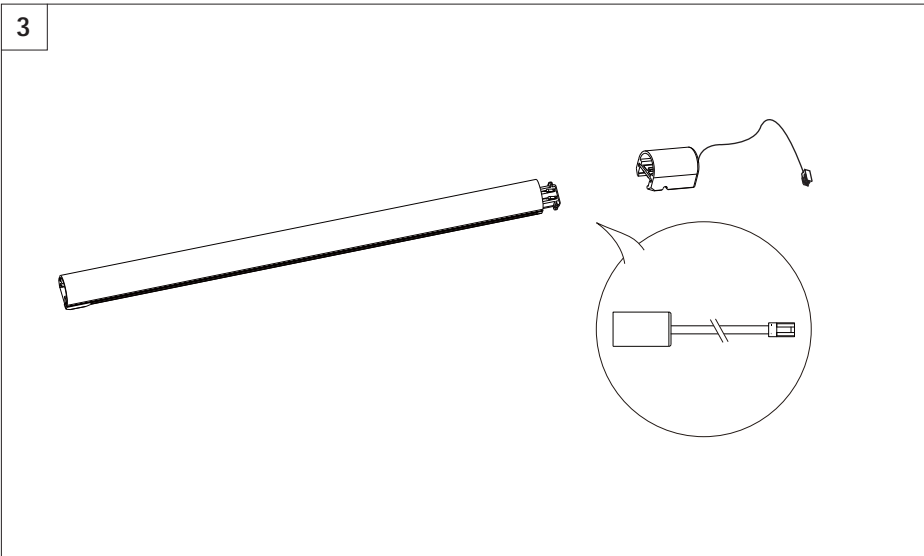


2

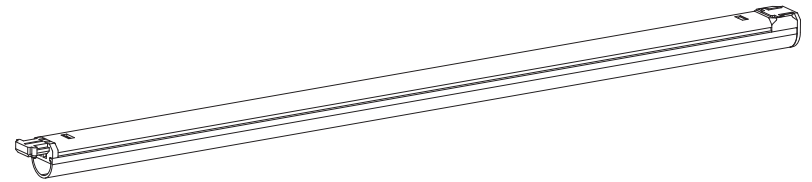


3



15/01/2021

ARROW2



INSTRUCTION MANUAL

SERIES: ARROW2

Read these instructions completely and carefully.

ATTENTIONS

Read the instruction carefully before installation. non-observance of this instruction may cause damage to the fixture or hurt to human body. The installation must be carried out by a qualified electrician in accordance with local or national codes.
Cut off the power supply before installation and maintenance !

Regularly check the light source , the LED power supply, the cord and other accessories.
If any part is damaged, the product should not be used.

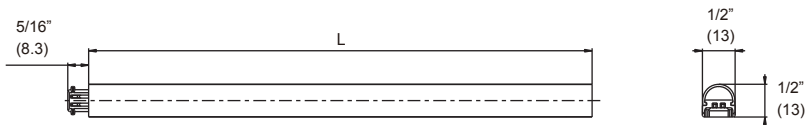
Keep this instruction manual handy for future use.

The light source of these product are non-changeable light diodes(LED).
Do not disassemble the product, as the light diode can cause damage to the eyes.
The production is only for indoor and dry location.

CAUTION: To reduce the risk of fire, do not install in a compartment smaller than a by b by c inches.
AVERTISSEMENT: Afin d'éviter tout risques d'incendie, ne pas installer dans un compartiment plus petit que a inch, par b inch, par c inch. "

Use only with SELV power supply or Class 2 power supply (For USA market)

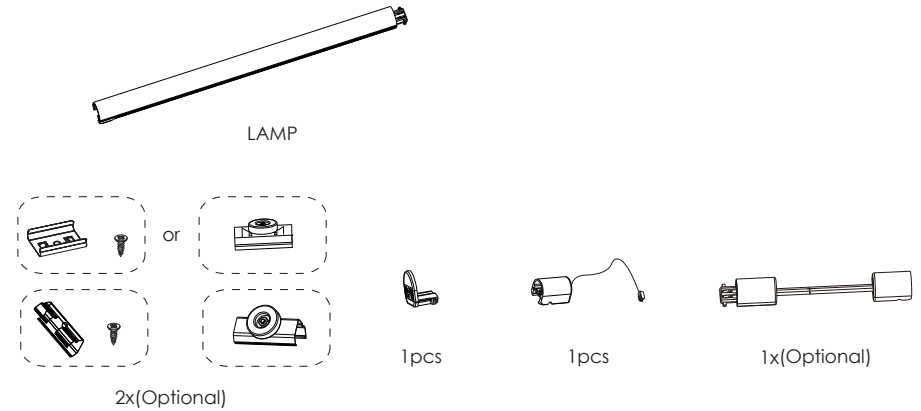
Dimensions: (mm)



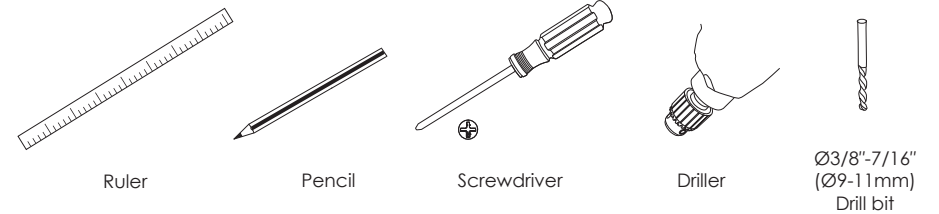
Specifications:

Model	Rated input	Power	Length (L)	Min. installation space(axbxc)	ta	Max. Linkable No.
ARROW2-L35-24V-1	DC 24V	2.5W	7-7/8" (200)	8-11/16"x1-3/16"x1-3/16" (220x30x30)	-4~95°F (-20~35°C)	18 PCS
ARROW2-L49-24V-1	DC 24V	4W	11-13/16" (300)	12-5/8"x1-3/16"x1-3/16" (320x30x30)	-4~95°F (-20~35°C)	12 PCS
ARROW2-L91-24V-1	DC 24V	7.5W	22-7/16" (570)	23-1/4"x1-3/16"x1-3/16" (590x30x30)	-4~95°F (-20~35°C)	6 PCS
ARROW2-L140-24V-1	DC 24V	11.5W	34-1/4" (870)	35-1/16"x1-3/16"x1-3/16" (890x30x30)	-4~95°F (-20~35°C)	4 PCS
ARROW2-L182-24V-1	DC 24V	15W	44-7/8" (1140)	45-11/16"x1-3/16"x1-3/16" (1160x30x30)	-4~95°F (-20~35°C)	3 PCS

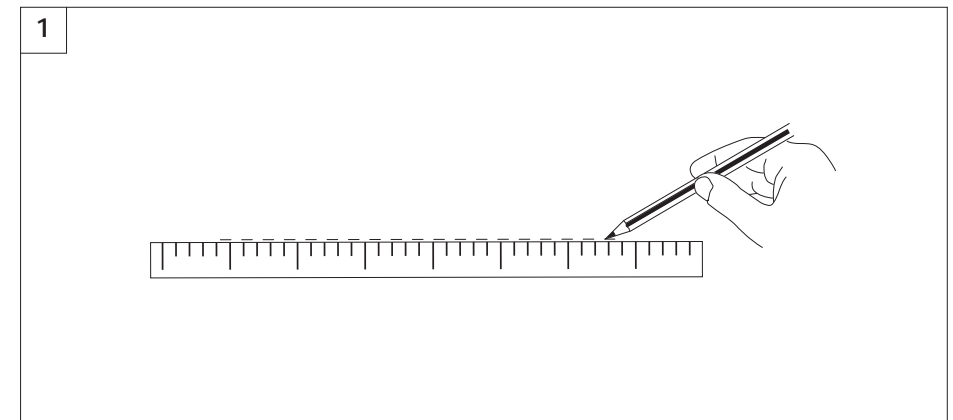
Components:



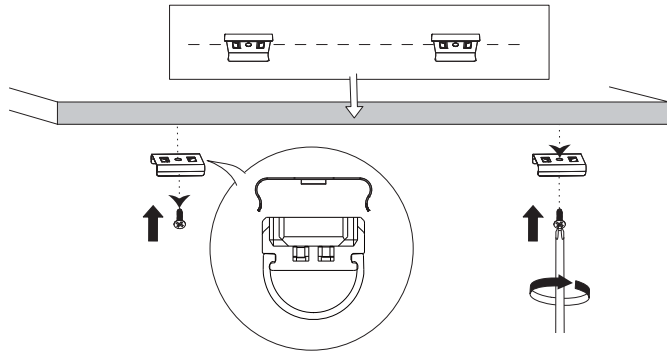
Tools:



Clip 1: Wood panel installation



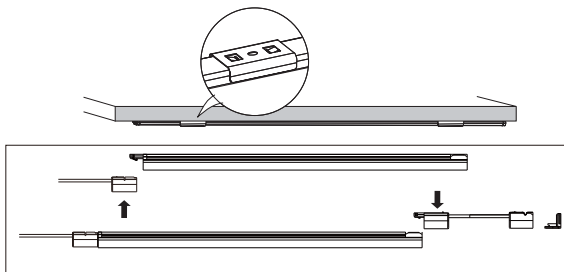
2



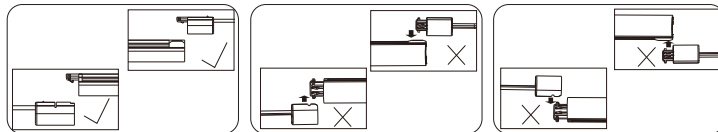
3



4

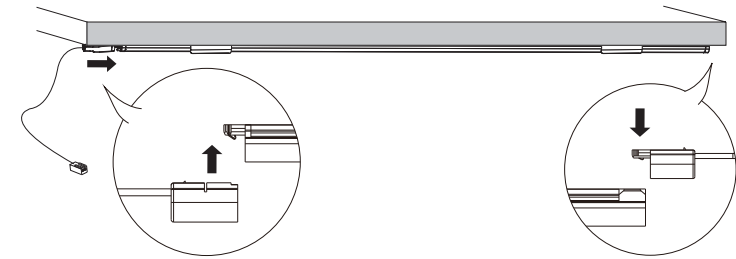


Note: vertical interconnection lines pressed into the tube.

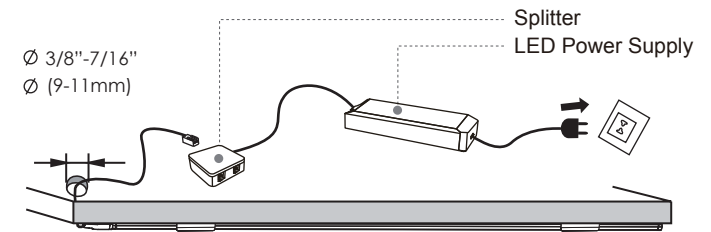


5

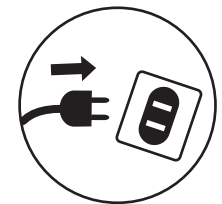
Note: soft pressed into the tube connecting the vertical.



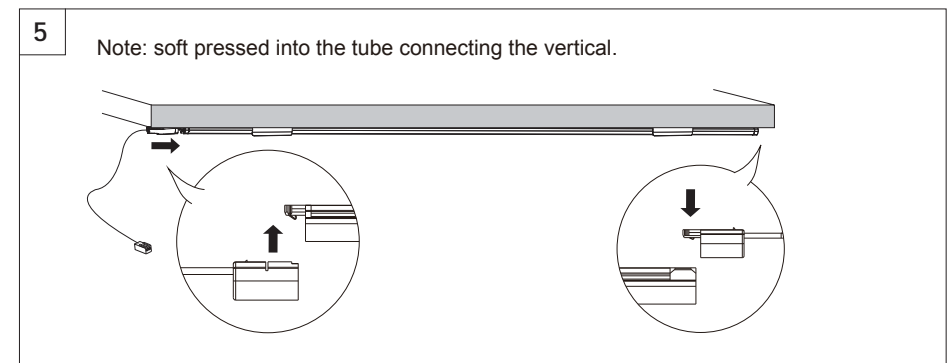
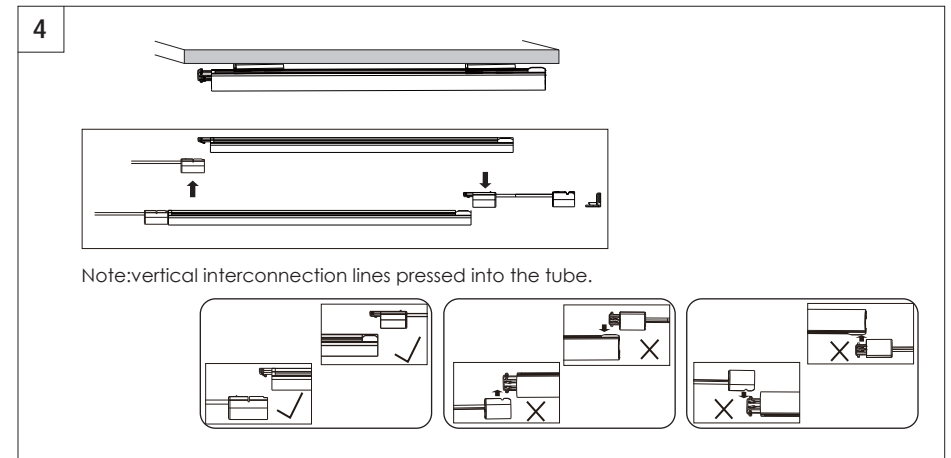
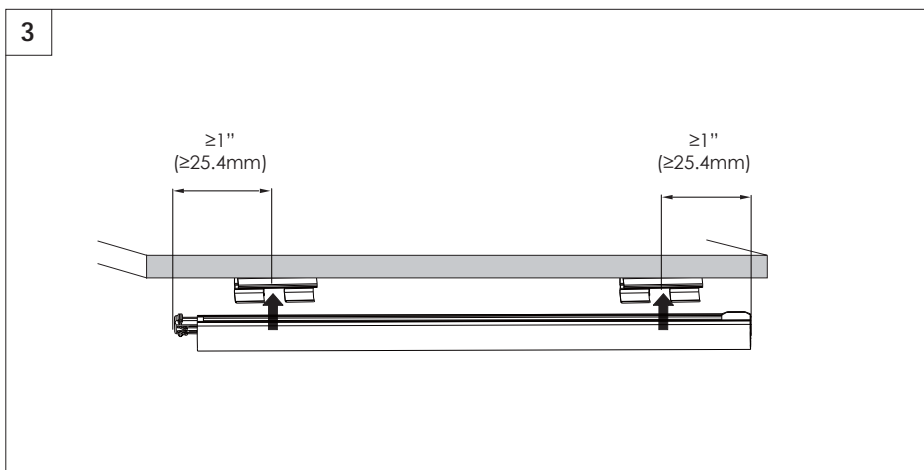
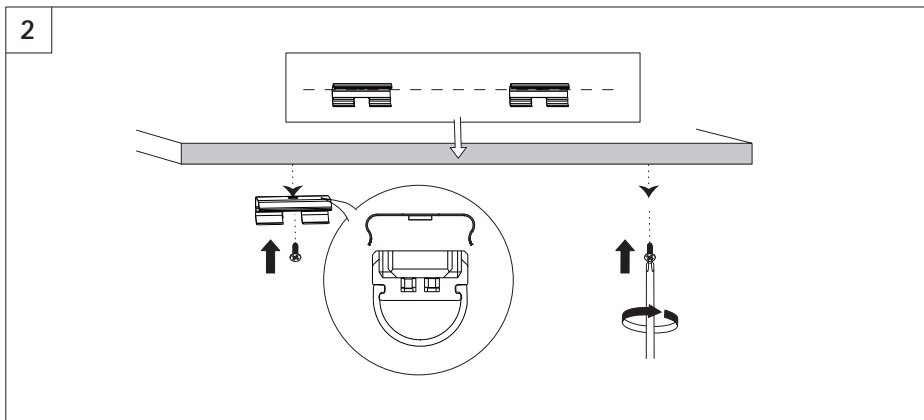
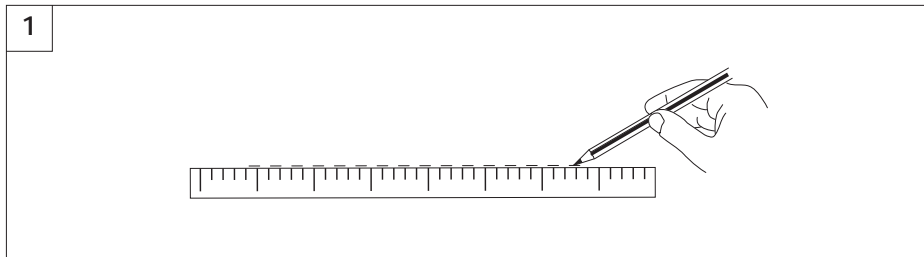
6



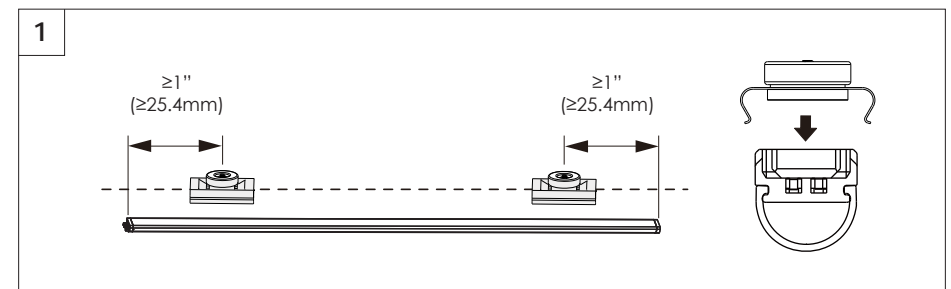
7



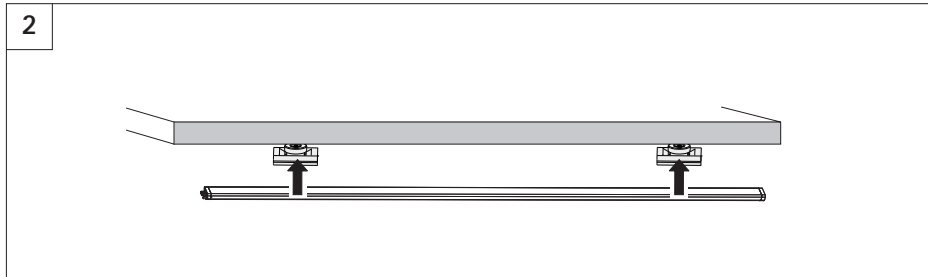
i Clip 2: Wood panel installation



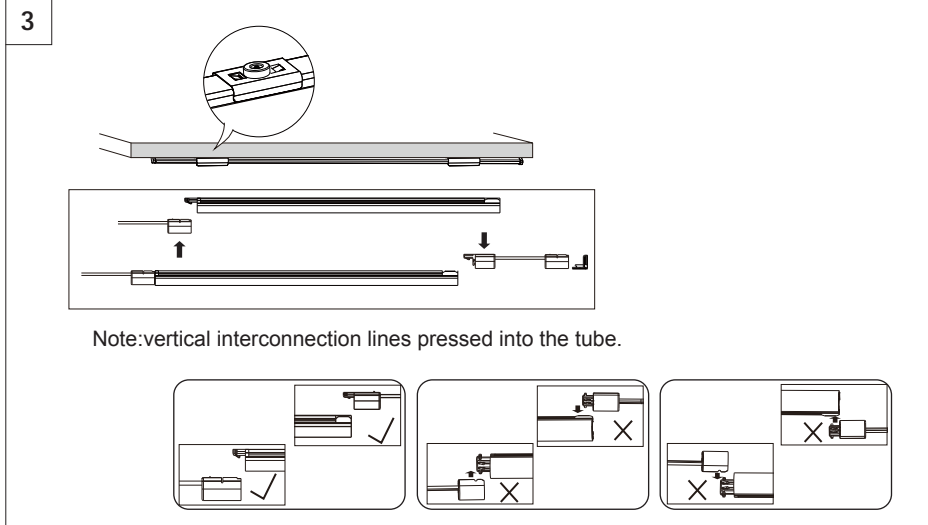
i Clip 3: Iron panel installation



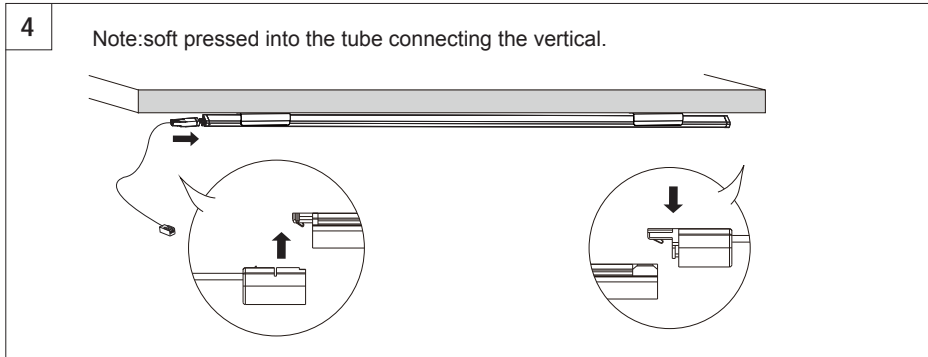
2



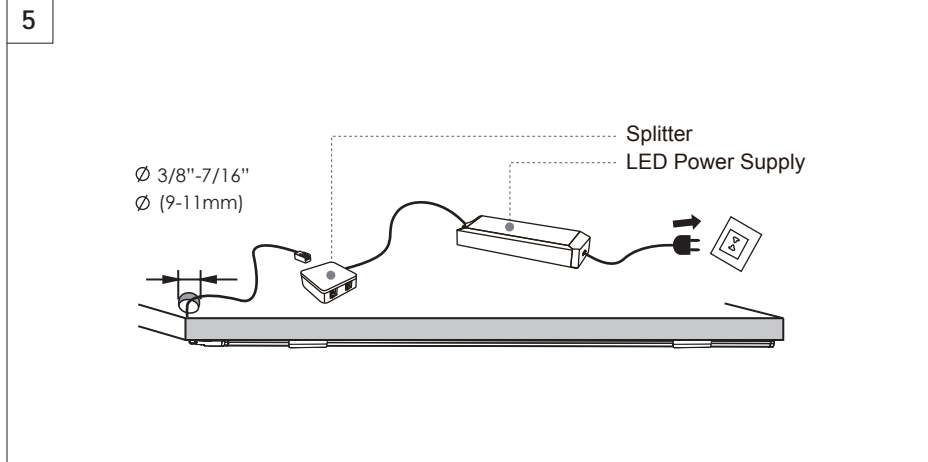
3



4



5

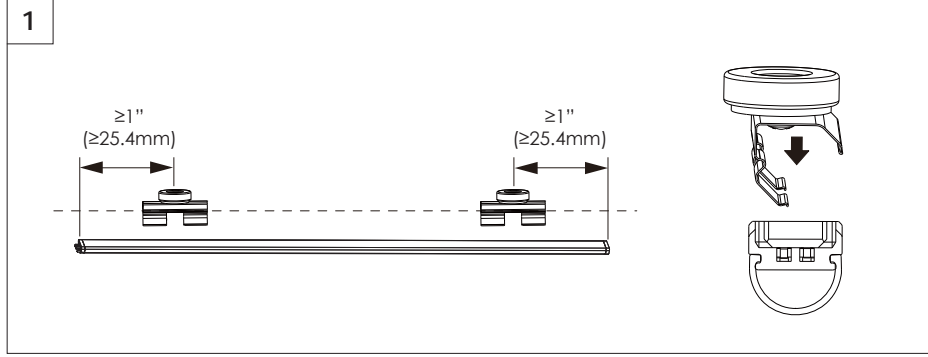


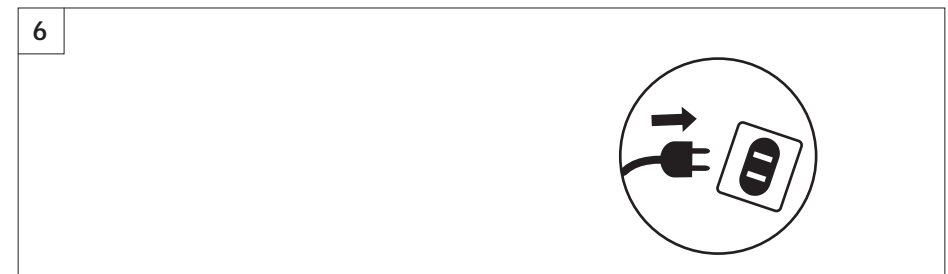
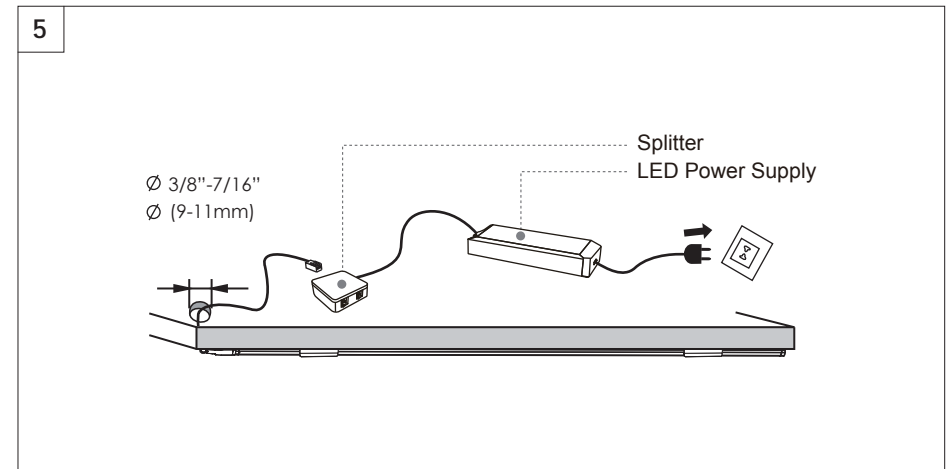
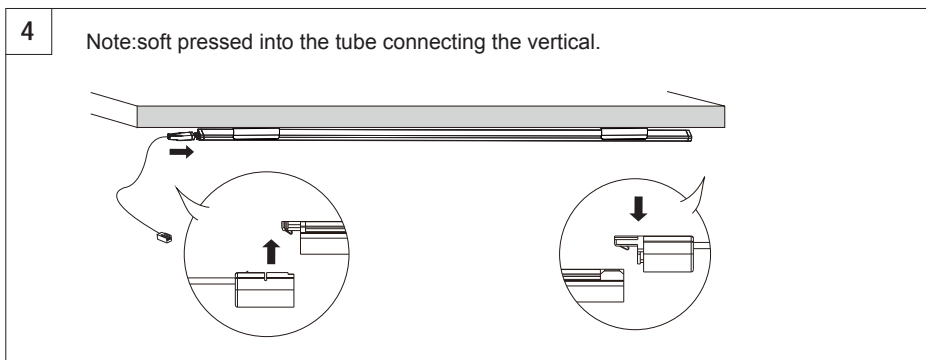
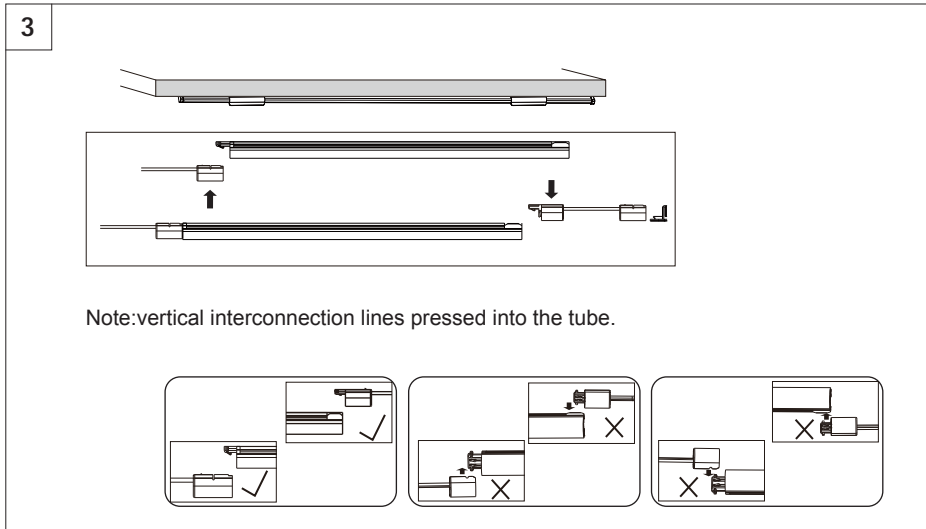
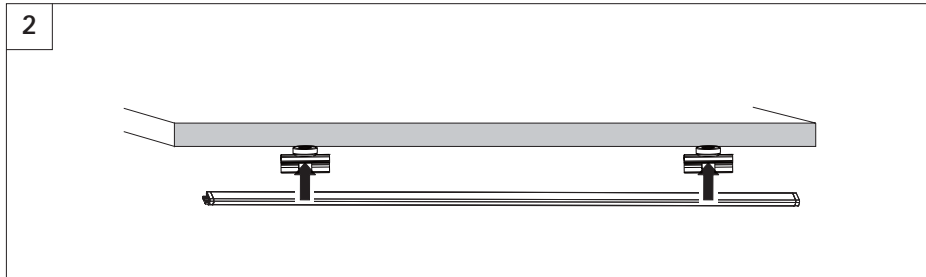
6



i Clip 4: Iron panel installation

1





Connection Diagram

