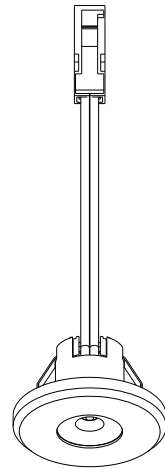


MINIFOCUS

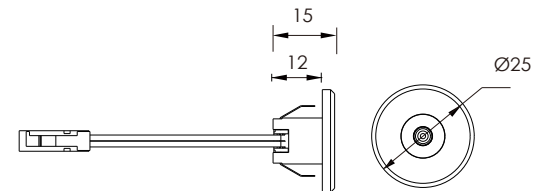


INSTRUCTION MANUAL SERIES: MINIFOCUS

Read these instructions completely and carefully.

ATTENTIONS
<ul style="list-style-type: none"> • Read the instruction carefully before installation, non-observance of this instruction may cause damage to the fixture or hurt to human body. The installation must be carried out by a qualified electrician in accordance with local or national codes. • Cut off the power supply before installation and maintenance ! • Regularly check the luminaire , the light source , the LED power supply, the cord and other accessories. Any constructive change of the product shall not be permitted. If any part is damaged, the product should not be used, please contact the manufacturer. • If any part is damaged, the product should not be used. • Keep this instruction manual handy for future use • The light source of these product are non-changeable light diodes(LED). • Do not disassemble the product, as the light diode can cause damage to the eyes. • The production is only for indoor and dry location. • Use only with SELV power supply or class 2 power supply (For USA market) • Wasted PCB during transit, delivery, use and scrap disposal can cause certain environment damage. Please handle it according to "waste electronic products disposal rules" locally. <p>IP43 weatherproof front only</p>

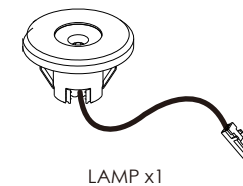
Dimensions: (mm)



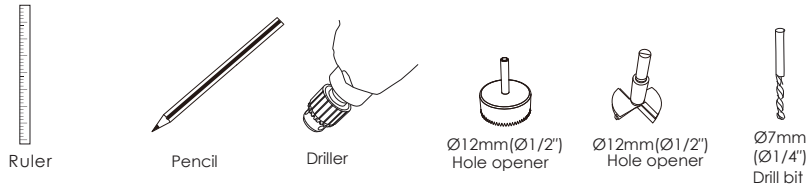
Specifications:

Mode	Rated Input	Power	Minimum Mounting Space (LXWXH)	ta
MINIFOCUS-R1-350	350mA	1W	300mmx300mmx300mm	-20°C~35°C

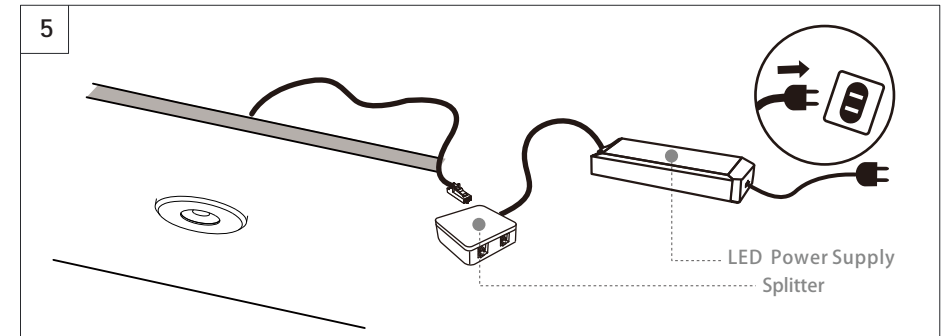
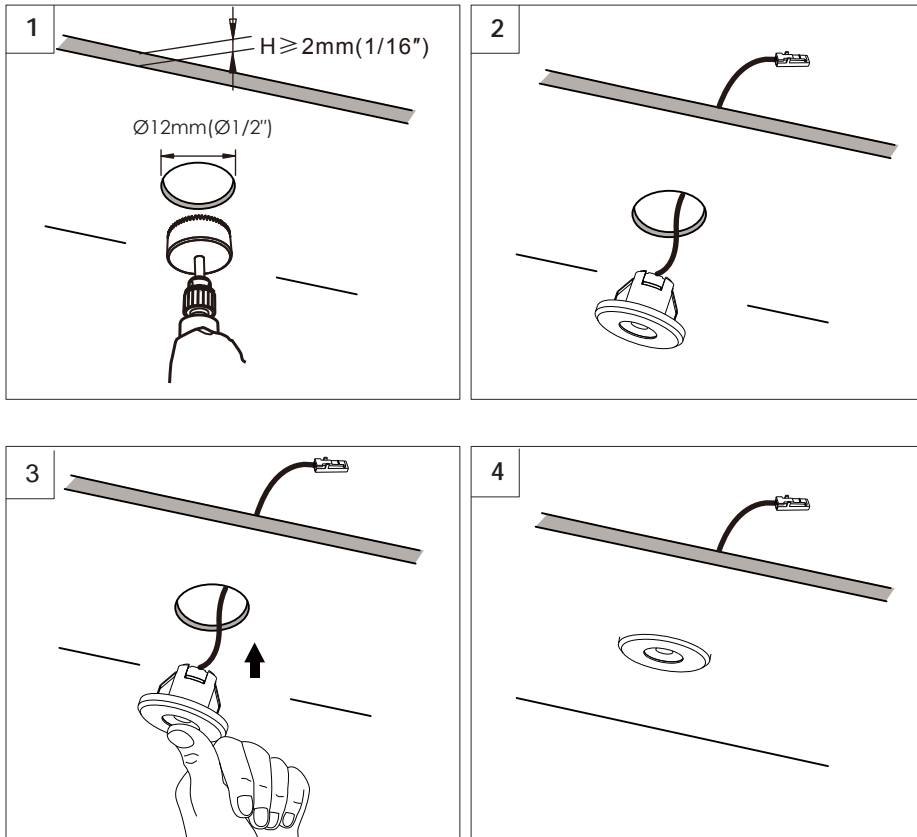
Components:



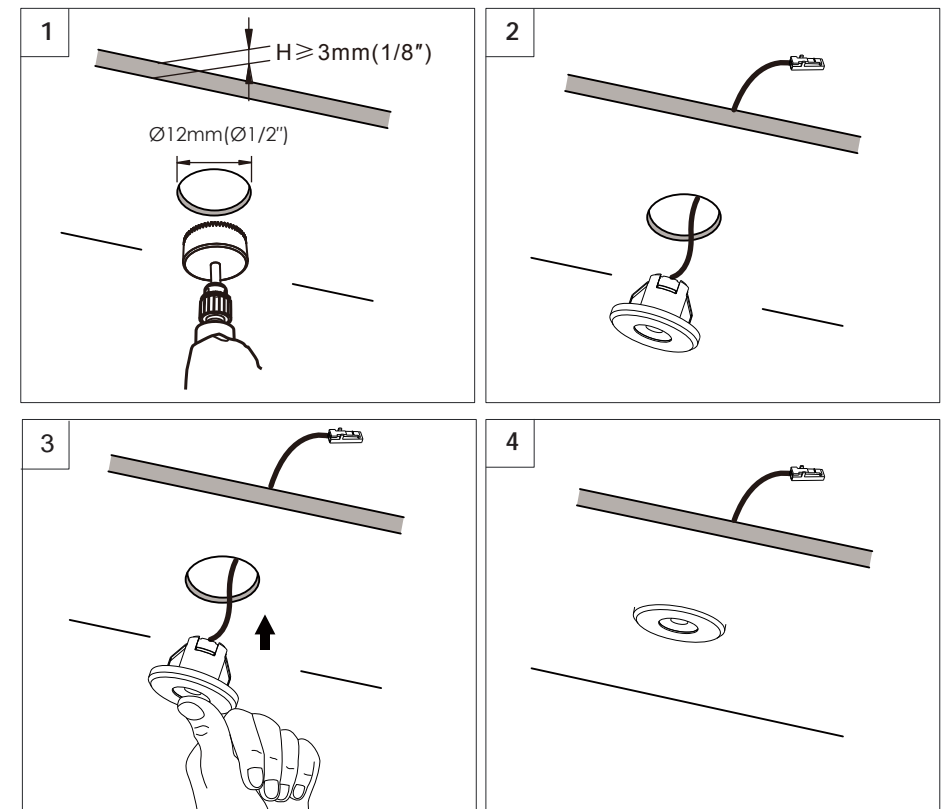
Tools:

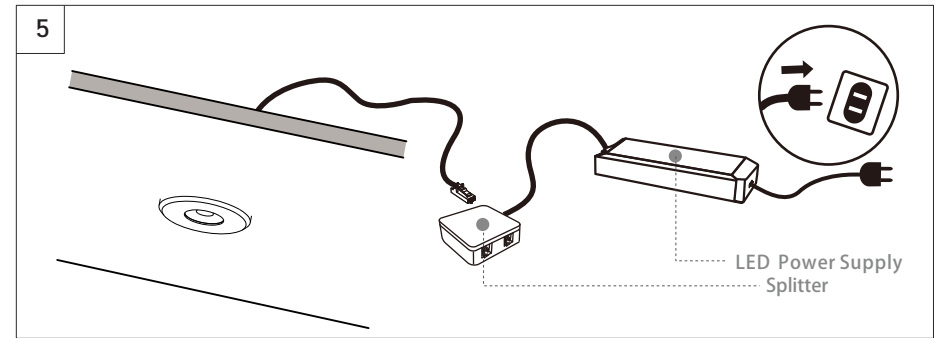
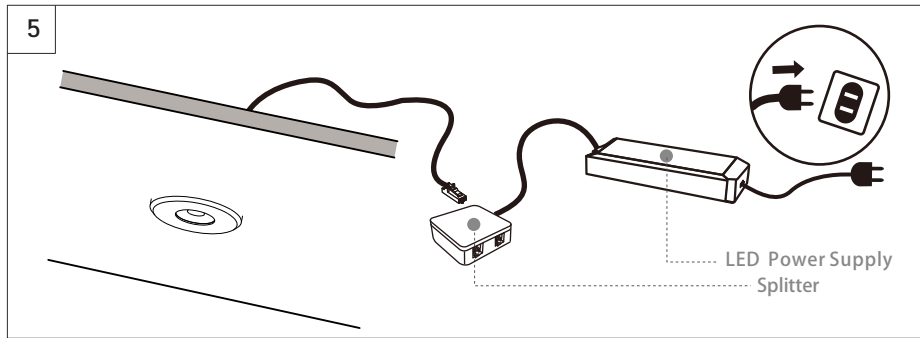


Installed on the metal:



Installed on the wood:





Installed on the wood:

