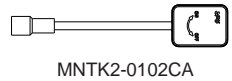
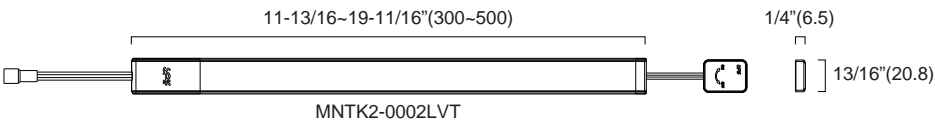
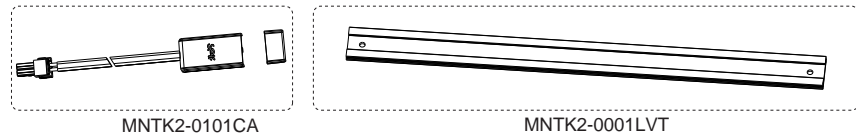
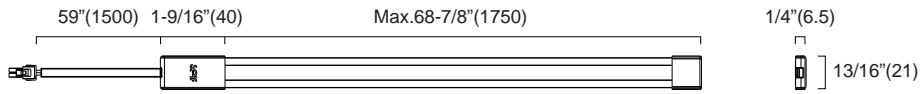


# INSTRUCTION MANUAL

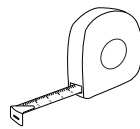
## SERIES: MNTK2

### Dimensions: (inches/mm)



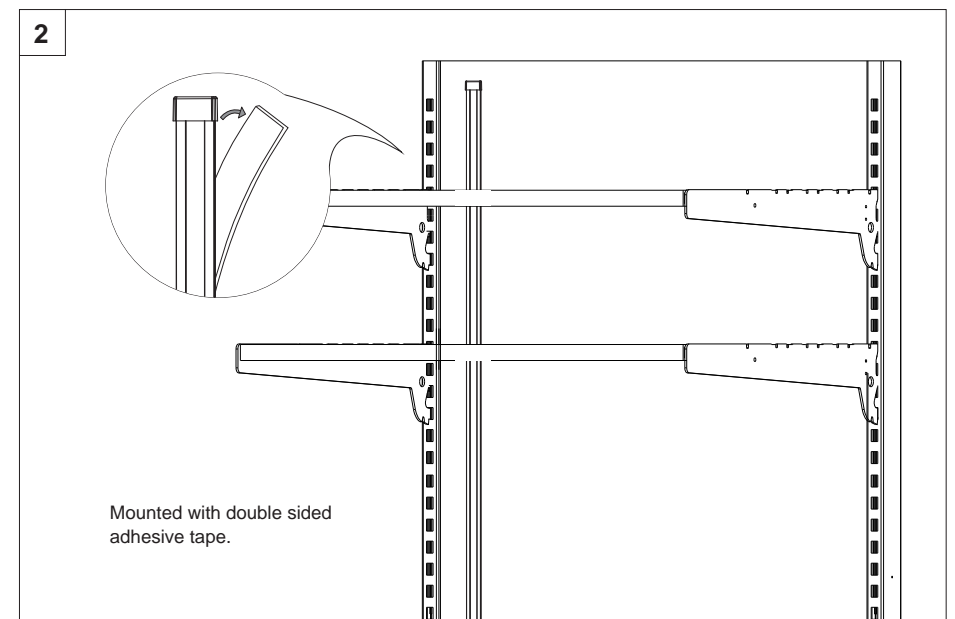
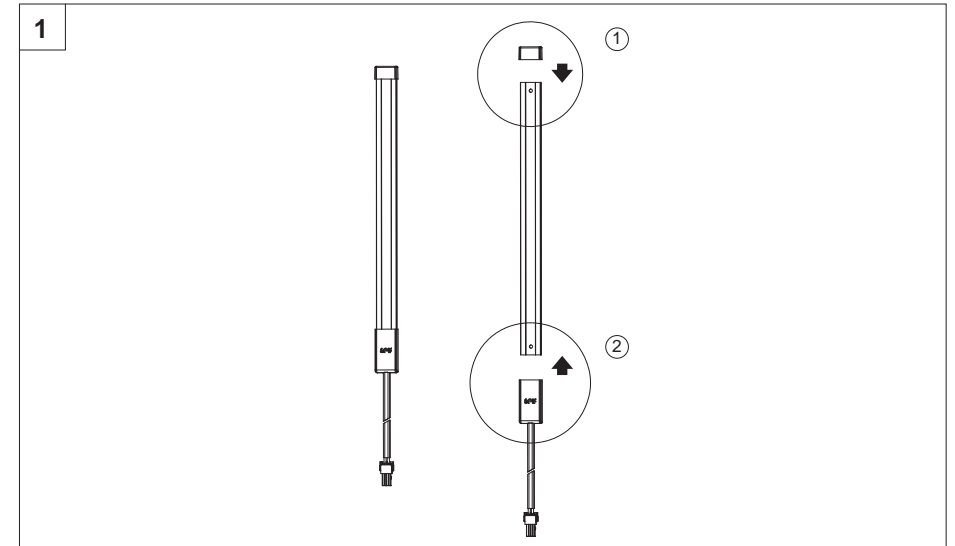
**Caution:** MNTK2: Max 12V, 5A or 24V, 4A  
MNTK2-0002LVT, MNTK2-0102CA: Max 2A

### Tools:

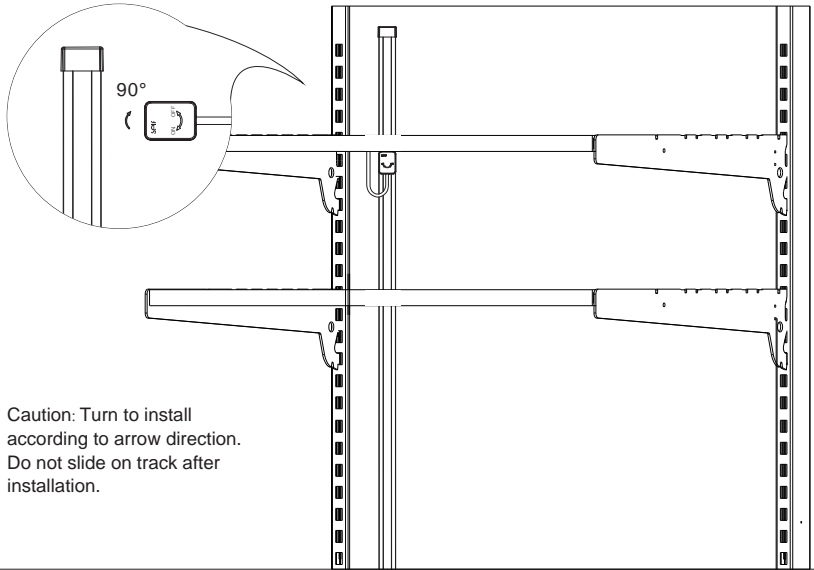


Tape measure

### Installation:

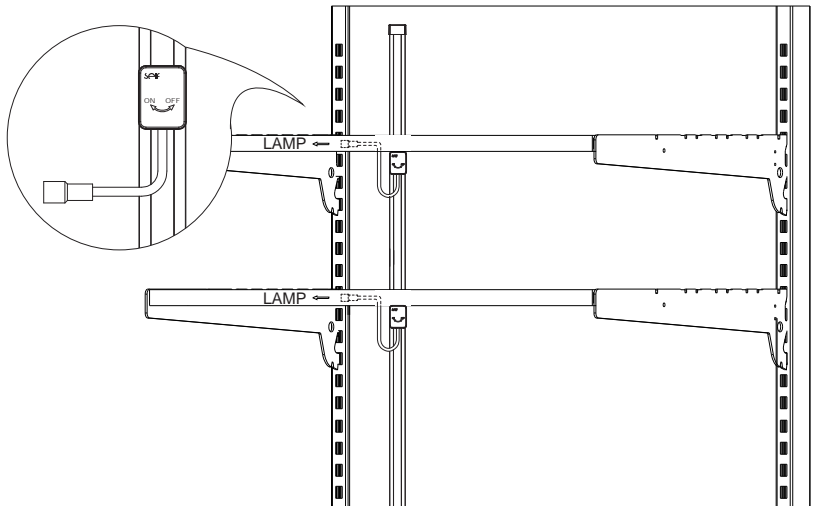


3

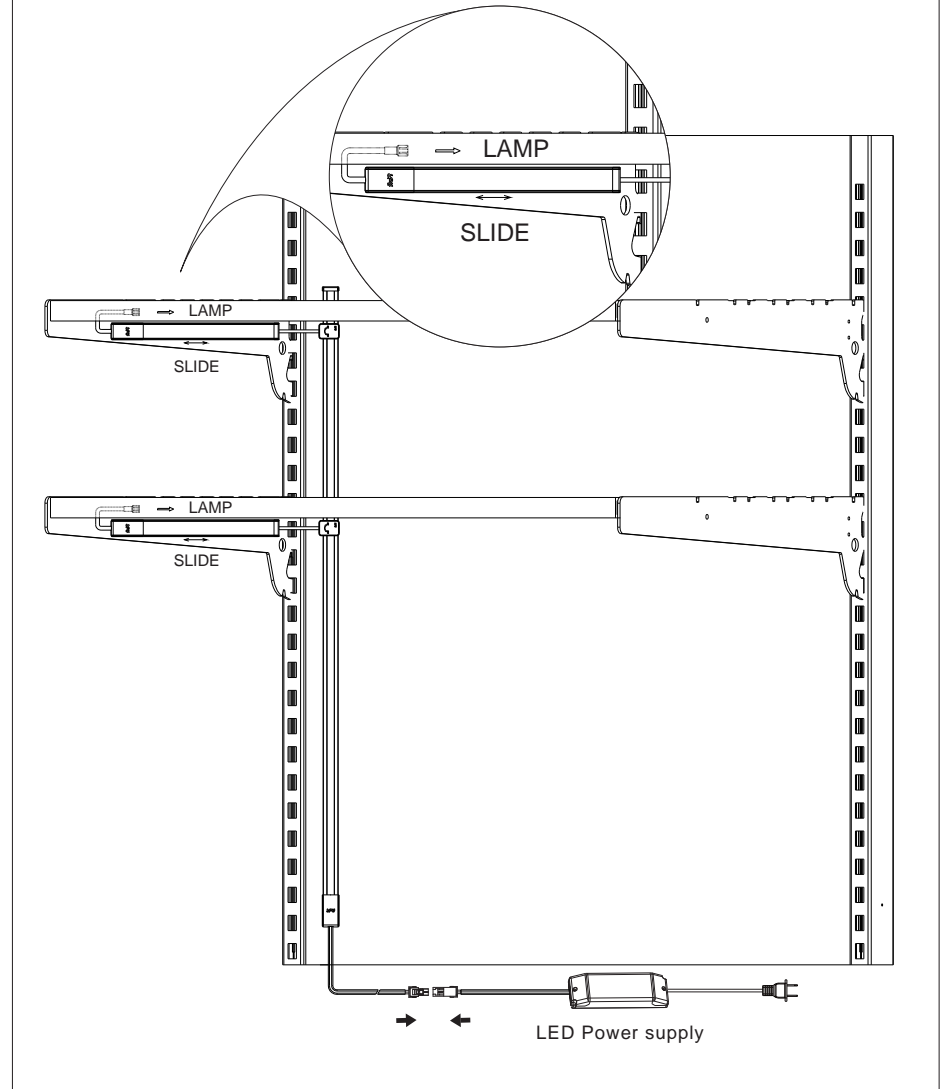


Caution: Turn to install  
according to arrow direction.  
Do not slide on track after  
installation.

4a



4b



SELF Electronics Co.,Ltd.  
No. 1345 JuXian Road, Ningbo Hi Tech Park, Ningbo, China 315103