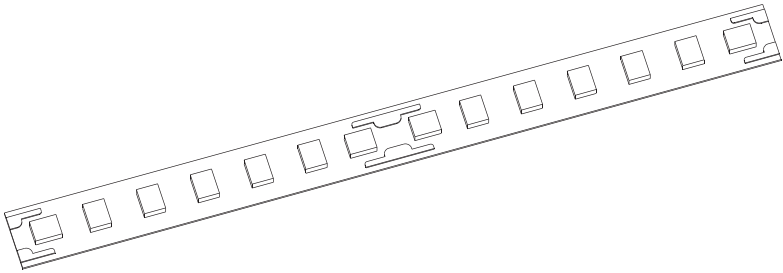


FLEX2



Instruction Manual

Series: FLEX2

Read these instructions completely and carefully.

ATTENTION

- Read the instruction carefully before installation, non-observance of this instruction may cause damage to the fixture or hurt to human body. The installation must be carried out by a qualified electrician in accordance with local or national codes.
- Cut off the power supply before installation, maintenance or cleaning.
- Regularly check the light source, the LED power supply, the cord and other accessories. If any part is damaged, the product should not be used.
- Only those open holes indicated in the photographs and/or drawings may be made or altered as a result of kit installation.
- Do not leave any other open holes in an enclosure of wiring or electrical components.
- Keep this instruction manual handy for future use.
- The light source of these product are non-changeable light diodes(LED).
- Do not disassemble the product, as the light diode can cause damage to the eyes.

WARNING - Risk of fire or electric shock. LED Retrofit Kit installation requires knowledge of luminaires electrical systems. If not qualified, do not attempt installation. Contact a qualified electrician.

WARNING - Risk of fire or electric shock. Install this kit only in the luminaires that have the construction features and dimensions shown in the photographs and/or drawings.

WARNING - Risk of fire or electric shock. Luminaire wiring and electrical parts may be damaged when drilling for installation of LED retrofit kit. Check for enclosed wiring and components.

WARNING - To prevent wiring damage or abrasion, do not expose wiring to edges of sheet metal or other sharp objects.

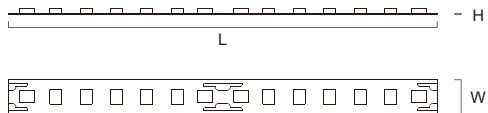
CAUTION - To reduce the risk of fire, do not install in a compartment smaller by L1 inches by 15-3/4 inches by 15-3/4 inches.

AVERTISSEMENT - Afin d'éviter tout risques d'incendie, ne pas installer dans un compartiment plus petit par L1 inch, par 15-3/4 inch, par 15-3/4 inch.

L1 see form ①.

Use only with SELV power supply or Class 2 power supply (For USA market)

Dimensions: (mm/inches)



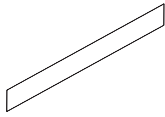
Specifications :

Form ①

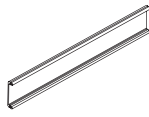
Model	Rated input	Power (W)	Length (L)	Minimum mounting space (L1xW1xH1)	Width (W)	Height (H)	ta
FLEX2-FX-24V-11	24VDC	0.071 x X	Custom design 1-15/16" x X/7(50 x X/7)	(L+1/2") x9/16"x9/16" (L+12)x15x15mm	5/16"(8)	1/16"(2.2)	-4~95°F (-20~35°C)
FLEX2-FX-24V-12	24VDC	0.024 x X	Custom design 1-15/16" x X/7(50 x X/7)	(L+1/2") x9/16"x9/16" (L+12)x15x15mm	5/16"(8)	1/16"(2.2)	-4~95°F (-20~35°C)

* X: The quantity of LEDs, will be multiples of seven.

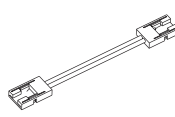
Components(optional):



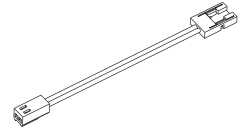
Cover



Mounting Channel



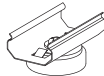
Soft connector



Input cable



0° mounting clip



0° magnetic mounting clip

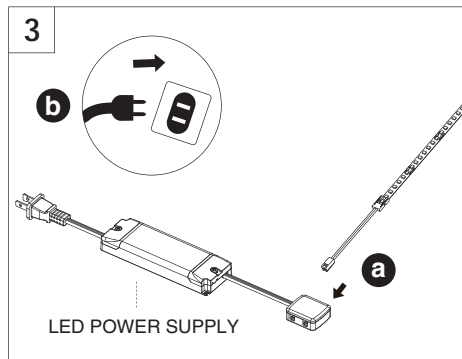
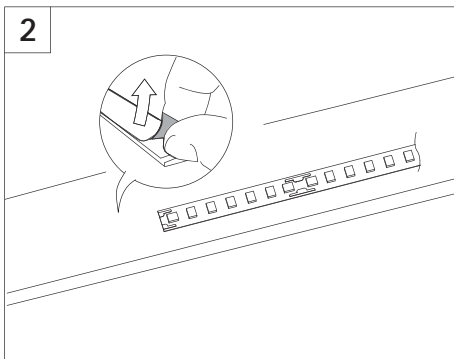
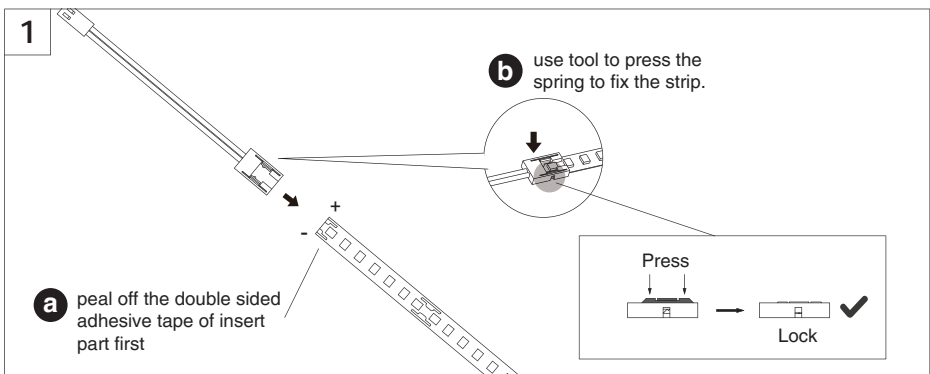


Hard connector

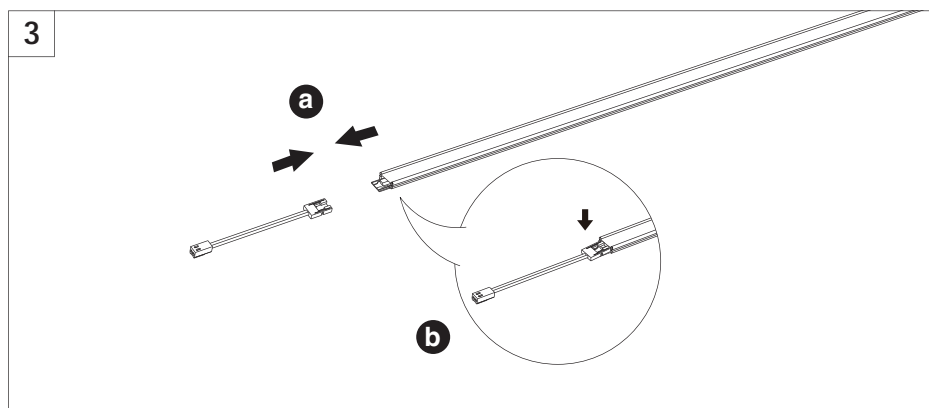
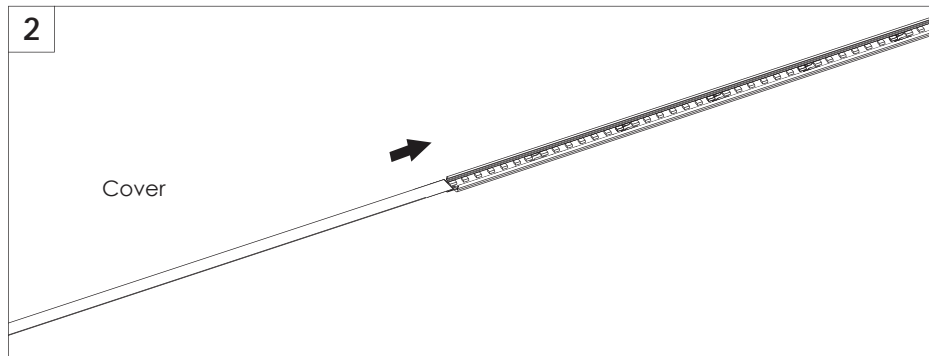
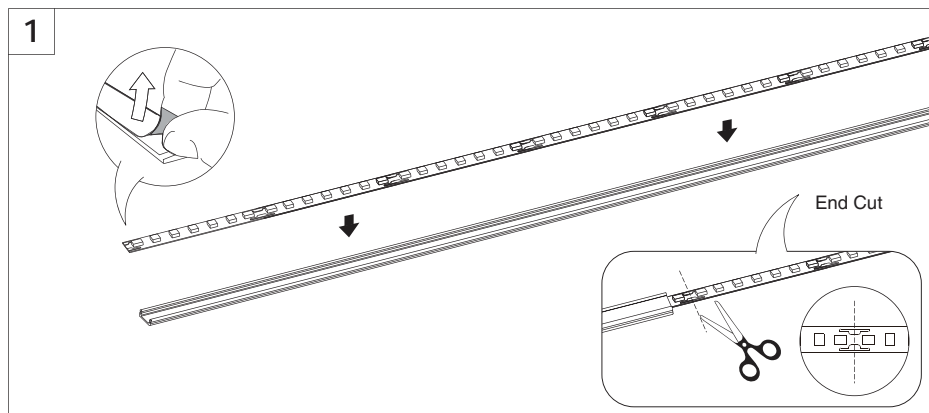


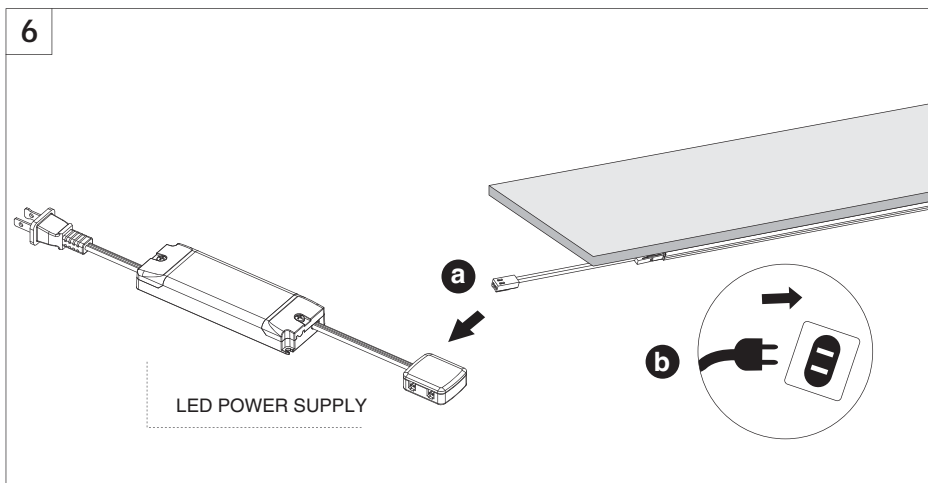
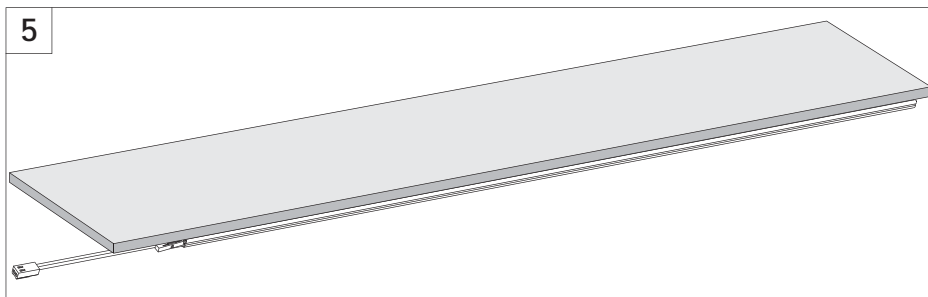
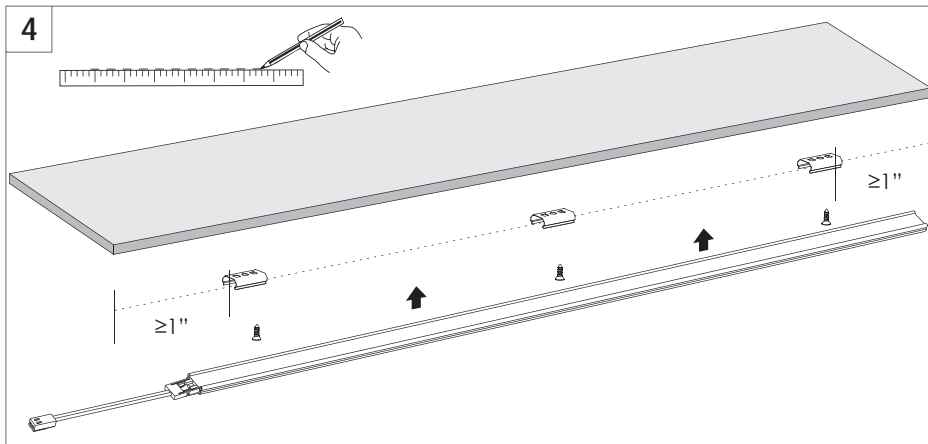
Fix clip

i Install LED fixtures directly

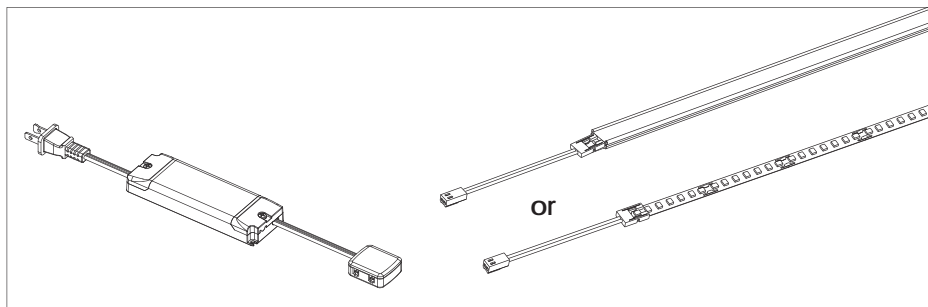


Install LED fixtures with mounting channel

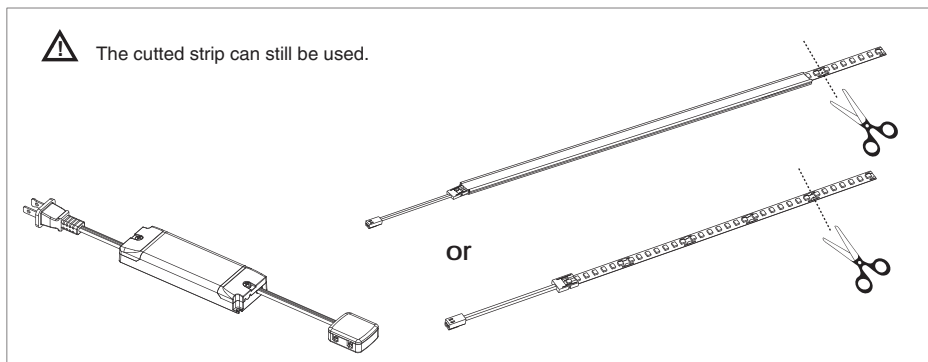




Wiring diagram



The cutted strip can still be used.



Pay attention to the polarity when linking LED strips together

