

Puck Lighting
AVALON



Puck Lighting

AVALON

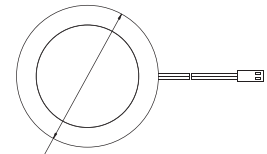


- Super thin light requiring only minimal space
- 3W power consumption only
- Lifetime: 50,000 hours (ta= 95°F, 35°C)
- Ta: -4°F~95°F (-20°C~35°C)
- Material: Aluminum alloy
- Other color temp available



Dimensions: inches, (mm)

3/16"(4.1)



Φ2-15/16"(75)

How to order using our catalog numbers
Example: AVALON-27K

Series	CCT (K)	Beam Angle	Finish	Installation
AVALON	27 - 2700K 30 - 3000K	[Blank] - 80°	[blank] - Stainless steel B - Black	[blank] - Surface mounting

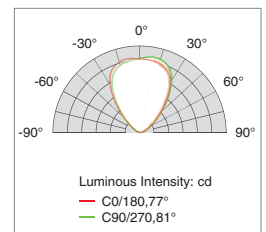
Specifications

Catalog No.	Model	Rated Input (VDC)	Ra	Power (W)	Luminous flux (TYP@3000K)lm	40W (NA159-4024LA-12A6)
AVALON-27K						
AVALON-30K						
AVALON-27KB	ALAVON-R35-24V	24	92	3	300	11pcs ^[1]
AVALON-30KB						

* included: 1pc LED fixture, 2pcs screws.

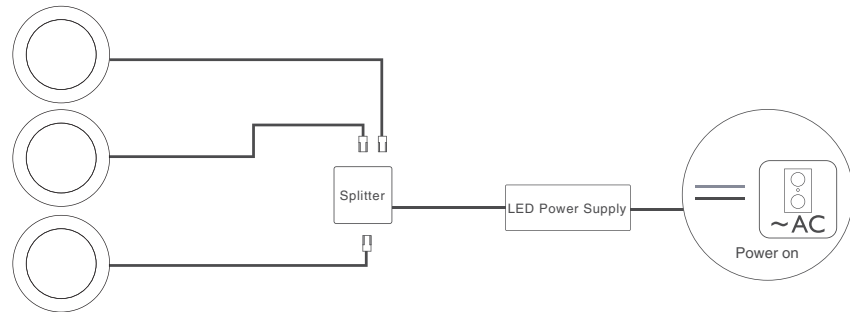
[1] Max. pcs per UL Listed LED power supply

Photometrics



Puck Lighting AVALON

Wiring Diagram



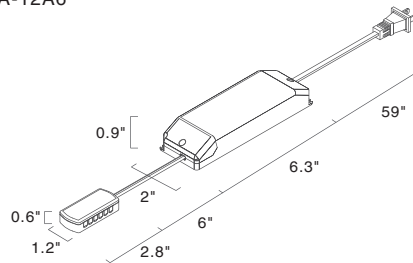
Accessories

Catalog No.

Description

Length
(inch)

NA159-4024LA-12A6



Model: SLT40-24VL-UN-A
 Matching driver, max. 40W.
 Input: 100-120VAC NA plug 1 + 59" cable.
 Output: 24VDC 12-way splitter JB-12A + 6" cable.

Puck Lighting AVALON

Installation

