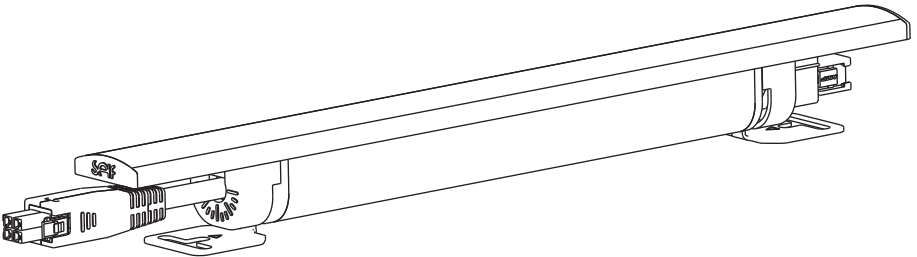


CREST2



Instruction Manual

Series: CREST2 Series

ATTENTIONS/AVERTISSEMENT

RISK OF ELECTRIC SHOCK

- Turn power off before inspection, installation or removal.
- Properly ground electrical enclosure.

RISK OF FIRE

- Follow all NEC and local codes.
 - Use only UL approved wire for input/output connections.
- Minimum size 18 AWG

THIS PRODUCT MUST BE INSTALLED IN ACCORDANCE WITH THE APPLICABLE INSTALLATION CODE BY A PERSON FAMILIAR WITH THE CONSTRUCTION AND OPERATION OF THE PRODUCT AND THE HAZARDS INVOLVED

RISQUE DE DÉCHARGES ÉLECTRONIQUES

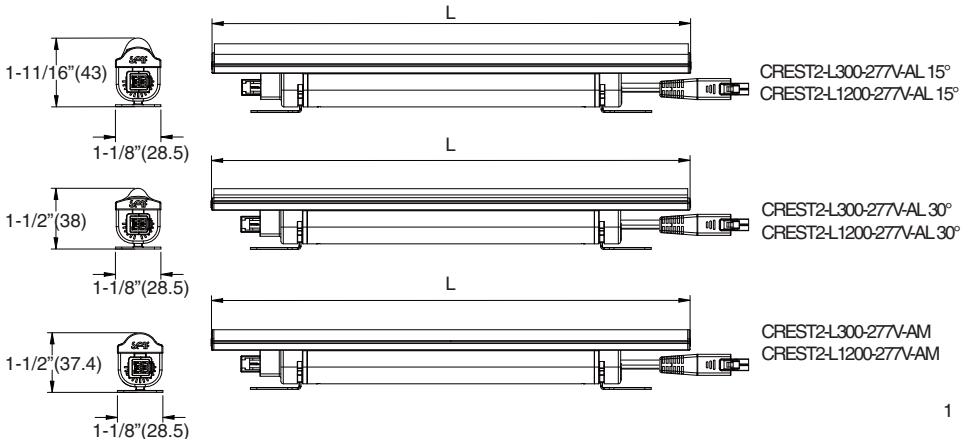
- Coupez l'alimentation avant d'inspection, installer ou déplacer le luminaire.
 - Assurez-vous de correctement mettre à la terre le boîtier d'orientation électrique.
 - N'utilisez que des fils approuvés par UL ou IEC pour les entrées/sorties de connexion.
- Taille minimum 18 AWG

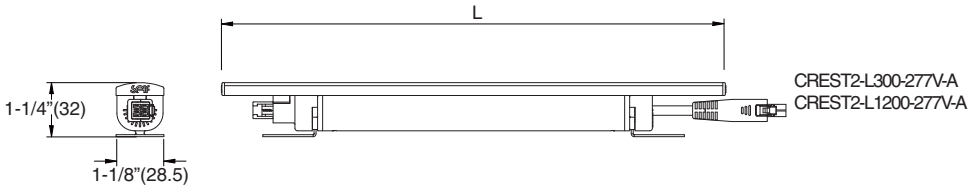
RISQUE D'INCENDIE

- Respectez tous les codes NEC et codes locaux
 - N'utilisez que des fils approuvés par UL ou IEC pour les entrées/sorties de connexion.
- Taille minimum 18 AWG

CE PRODUIT DOIT ÊTRE INSTALLÉ CONFORMÉMENT AUX CODES D'INSTALLATIONS APPLICABLES PAR UNE PERSONNE FAMILIÈRE AVEC LA CONSTRUCTION ET L'OPÉRATION DU PRODUIT ET DES DANGERS CONCERNÉS. UNE DÉVIATION PAR RAPPORT A L'INSTRUCTION D'ASSEMBLAGE PEUT ENTRAÎNER DES RISQUES D'INCENDIE, DE DÉCHARGE ÉLECTRONIQUE.

Dimensions: (inch/mm)

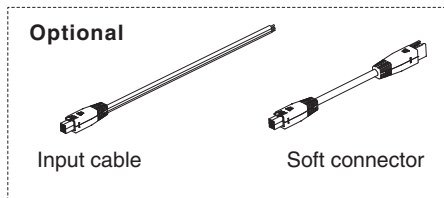




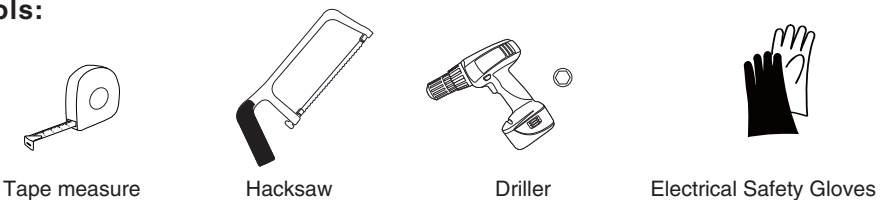
Specifications :

Mode	Length	Rated Input	Power	Minimum Mounting Space (LXWXH)	Max.Linkabe Current	Beam angle	ta
CREST2-L300-277V-A	11-13/16" (300)	AC120-277V	5W	12-5/8"X3-1/8"X3-15/16" (320X80X100)	5A	120°	-4°F~95°F (-20°C~35°C)
CREST2-L1200-277V-A	47-1/4" (1200)	AC120-277V	20W	48-7/16"X3-1/8"X3-15/16" (1230X80X100)	5A		
CREST2-L300-277V-AL	11-13/16" (300)	AC120-277V	5W	12-5/8"X3-1/8"X3-15/16" (320X80X100)	5A	15°/30°	
CREST2-L1200-277V-AL	47-1/4" (1200)	AC120-277V	20W	48-7/16"X3-1/8"X3-15/16" (1230X80X100)	5A		
CREST2-L300-277V-AM	11-13/16" (300)	AC120-277V	5W	12-5/8"X3-1/8"X3-15/16" (320X80X100)	5A	frost cover	
CREST2-L1200-277V-AM	47-1/4" (1200)	AC120-277V	20W	48-7/16"X3-1/8"X3-15/16" (1230X80X100)	5A		

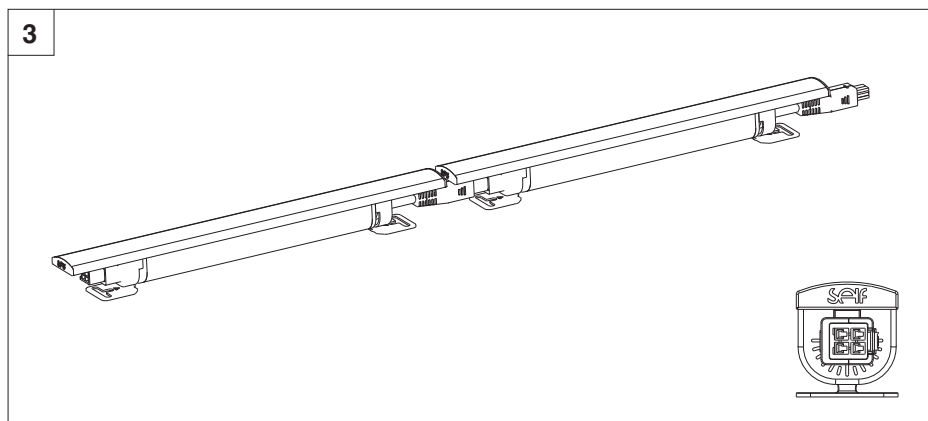
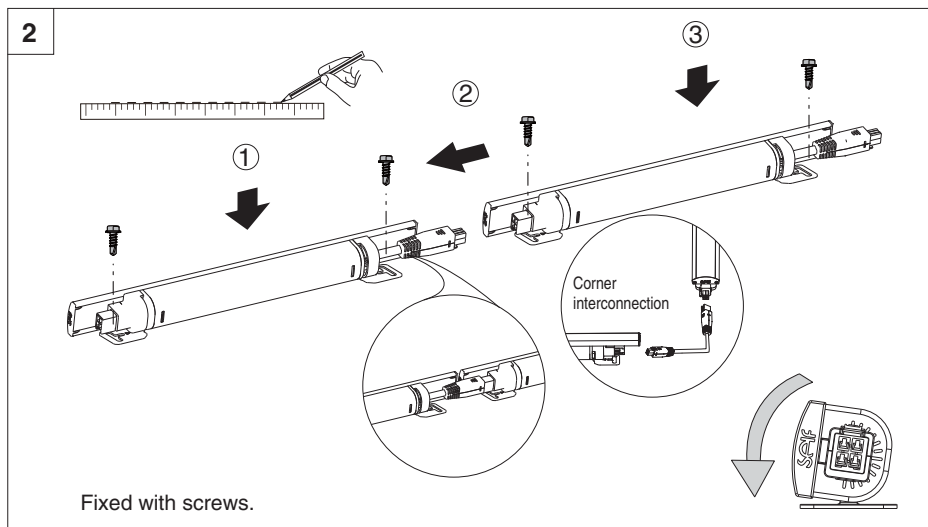
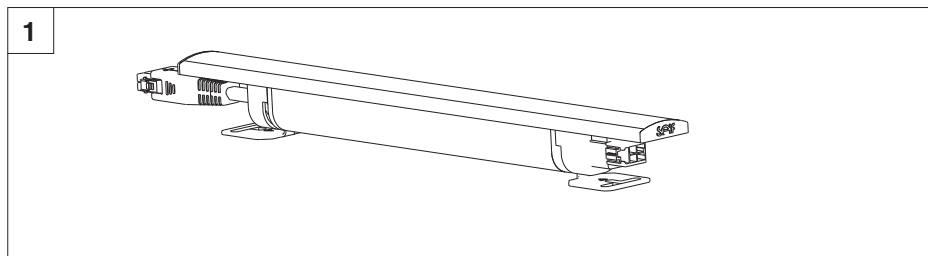
Components:



Tools:



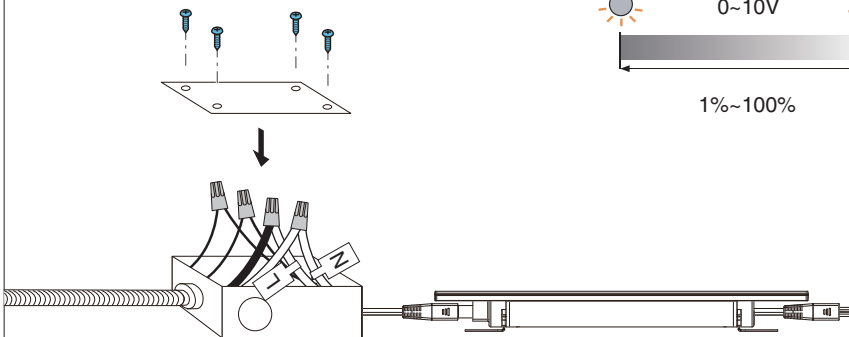
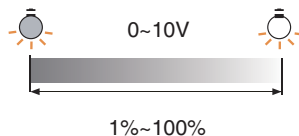
i Install LED fixtures on the cove directly with screws:



i Wiring diagram:

1. A suitable strain relief means should be added at the entrance of junction box.
2. In the junction box, the dimming wiring and branch wiring shall be permanently separated a minimum 6.4 mm.

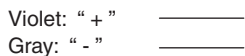
Dimming range:



AC connection:



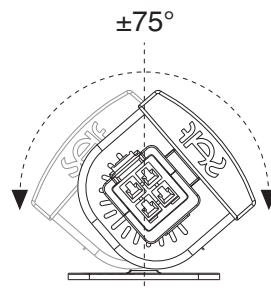
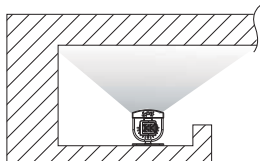
Dimming connection:



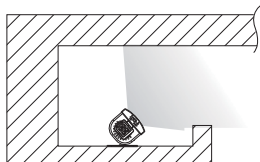
Recommended Installation Location:

Suitable for use in wall, ceiling, suspending ceiling.
 Suitable for mounting surface material: Wood

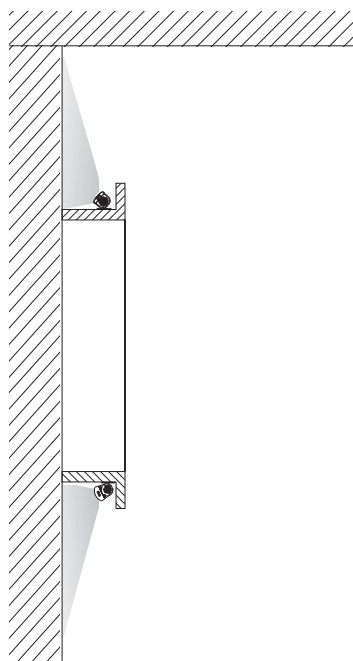
1



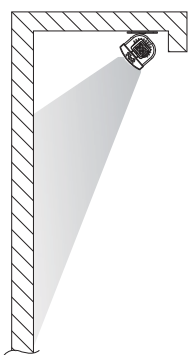
2



4



3



Manufacturer

SELF ELECTRONICS CO., LTD.
 Add: No. 1345 JuXian Road, Hi-Tech Park, Ningbo, China 315103

Importer

SELF ELECTRONICS GERMANY GMBH
 Add: August-Horch-Str. 7, 51149 Cologne
 (For European market)

SELF LIGHTING TECHNOLOGY PTY., LTD.
 Add: 145 Indian Drive, Keysborough, VIC, 3173, Australia
 (For Oceania market)

SELF ELECTRONICS USA CORP.
 Add: 3264 Saturn Ct, Peachtree Corners, GA 30092

(For North American market)

SELF ELECTRONICS MIDDLE EAST (SELF LIGHTING L.L.C)
 Add: 1707, Opal Tower, Business Bay, Dubai

(For Middle Eastern market)